

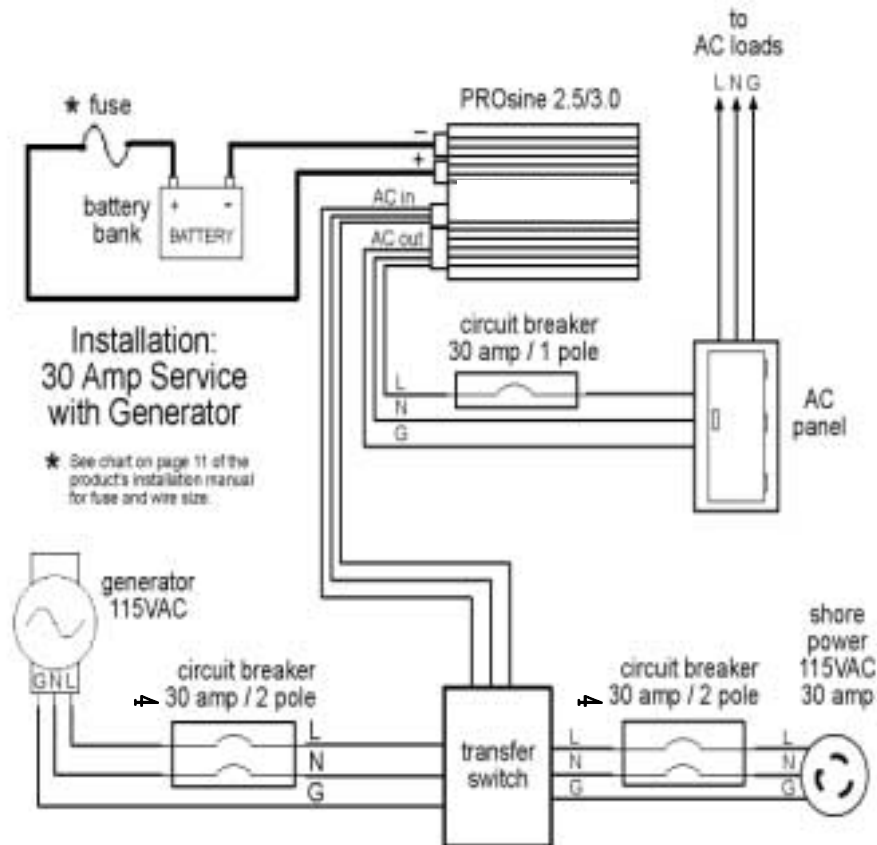
Technical Note

PROsine 2.5/3.0

512-0008-01-01

Installing PROsine 2.5/3.0 with a 30 Amp Service and Generator

Installation Diagram



Note:

Some electrical codes allow use of a single pole circuit breaker in the line side (see check). Check your applicable electrical code if this is suitable for your application.

PROsine is a trademark of Xantrex International. Xantrex is a registered trademark of Xantrex International.
© 2002 Xantrex International. All rights reserved.

Technical Note: *PROsine 2.5/3.0 Installation: 30 Amp Service with Generator* © October 2001 Xantrex International

UNLESS SPECIFICALLY AGREED TO IN WRITING, XANTREX TECHNOLOGY INC. ("XANTREX"):

(a) MAKES NO WARRANTY AS TO THE ACCURACY, SUFFICIENCY OR SUITABILITY OF ANY TECHNICAL OR OTHER INFORMATION PROVIDED IN ITS MANUALS OR OTHER DOCUMENTATION.

(b) ASSUMES NO RESPONSIBILITY OR LIABILITY FOR LOSS OR DAMAGE, WHETHER DIRECT, INDIRECT, CONSEQUENTIAL OR INCIDENTAL, WHICH MIGHT ARISE OUT OF THE USE OF SUCH INFORMATION. THE USE OF ANY SUCH INFORMATION WILL BE ENTIRELY AT THE USER'S RISK.

Part number: 512-0008-01-01 Rev 1

Contact information:

Phone: 1-800-670-0707 (toll-free in North America)

Phone: 1-604-422-2777 (direct)

Fax: 1-604-420-2145 (direct)

Email: CustomerService@xantrex.com

Web: www.xantrex.com